

# HTS-20

*Home-Theater System*

**Owner's Manual**

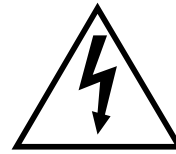


# CAUTION

## RISK OF ELECTRIC SHOCK DO NOT OPEN

**WARNING: SHOCK HAZARD – DO NOT OPEN.**  
**AVIS: RISQUE DE CHOC ELECTRIQUE – NE PAS OUVRIR.**  
**CUIDADO: PELIGRO DE CHOQUE ELECTRICO – NO ABRIR.**

**CAUTION: TO REDUCE THE RISK OF ELECTRIC SHOCK  
DO NOT REMOVE COVER (OR BACK)  
NO USER SERVICEABLE PARTS INSIDE  
REFER SERVICING TO QUALIFIED PERSONNEL**

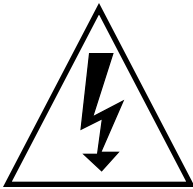


The lightning flash with arrowhead symbol, within an equilateral triangle, is intended to alert the user to the presence of uninsulated “dangerous voltage” within the product’s enclosure that may be of sufficient magnitude to constitute a risk of electric shock to persons.



The exclamation point within an equilateral triangle is intended to alert the user to the presence of important operating and maintenance (servicing) instructions in the literature accompanying the product.

**THIS INFINITY PRODUCT IS DESIGNED FOR 120-VOLT USE ONLY! FOR DETAILED SAFETY PRECAUTIONS, PLEASE SEE FOLLOWING PAGE IN THIS OWNER'S MANUAL FOR “IMPORTANT SAFETY INSTRUCTIONS.”**

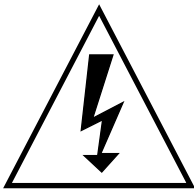


L'éclair avec le symbole de la flèche, placé dans les limites d'un triangle équilatéral est prévu pour avertir l'utilisateur de la présence de “tension dangereuse” non isolée dans l'enceinte du produit qui pourrait être d'une importance suffisante pour présenter un risque d'électrocution aux personnes.



Le point d'exclamation dans un triangle équilatéral est prévu pour avertir l'utilisateur de la présence d'instructions importantes pour les opérations et l'entretien (service) dans les manuels fournis avec l'appareil.

**ATTENTION: POUR EVITER LES CHOCS ELECTRIQUES, INTRODUIRE LA LAME LA PLUS LARGE DE LA FICHE DANS LA BORNE CORRESPONDANTE DE LA PRISE ET POUSSER JUSQU'AU FOND.**



Este destello luminoso con un símbolo de punta de flecha dentro de un triángulo equilátero tiene el objetivo de alertar al usuario sobre la presencia de “voltaje peligroso” no aislado dentro de la caja del producto que puede ser de magnitud lo suficientemente grande para constituir un riesgo de choque eléctrico para las personas.



Este punto de exclamación dentro de un triángulo equilátero tiene el objetivo de alertar al usuario sobre la existencia de instrucciones operativas y de mantenimiento (servicio) importantes en la literatura que acompaña el aparato.

**CUIDADO: PARA REDUCIR EL RIESGO DE CHOQUE ELÉCTRICO, NO RETIRE LA CUBIERTA (O RESPALDO). DENTRO NO HAY PIEZAS A LAS QUE EL USUARIO PUEDA DAR SERVICIO. REMITA EL SERVICIO AL PERSONAL DE SERVICIO CALIFICADO.**

## IMPORTANT SAFETY INSTRUCTIONS

1) **Read Instructions** – All the safety and operating instructions should be read before the product is operated.

2) **Retain Instructions** – The safety and operating instructions should be retained for future reference.

3) **Heed Warnings** – All warnings on the product and in the operating instructions should be adhered to.

4) **Follow Instructions** – All operating and use instructions should be followed.

5) **Cleaning** – Unplug this product from the wall outlet before cleaning. Do not use liquid cleaners or aerosol cleaners. Use a damp cloth for cleaning. Exception: A product that is meant for uninterrupted service and that for some specific reason, such as the possibility of the loss of an authorization code for a CATV Converter, is not intended to be unplugged by the user for cleaning or any other purpose, may exclude the reference to unplugging the product in the cleaning description otherwise required in number 5.

6) **Attachments** – Do not use attachments not recommended by the product manufacturer as they may cause hazards.

7) **Water and Moisture** – Do not use this product near water – for example, near a bathtub, washbowl, kitchen sink, or laundry tub; in a wet basement; or near a swimming pool; and the like.

8) **Accessories** – Do not place this product on an unstable cart, stand, tripod, bracket, or table. The product may fall, causing serious injury to a child or adult, and serious damage to the product. Use only with a cart, stand, tripod, bracket, or table recommended by the manufacturer, or sold with the product. Any mounting of the product should follow the manufacturer's instructions, and should use a mounting accessory recommended by the manufacturer.



9) **A product and cart combination should be moved with care.** Quick stop, excessive force, and uneven surfaces may cause the product and cart combination to overturn.

10) **Ventilation** – Slots and openings in the cabinet are provided for ventilation and to ensure reliable operation of the product and to protect it from overheating, and these openings must not be blocked or covered. The openings should never be blocked by placing the product on a bed, sofa, rug, or other similar surface. This product should not be placed in a built-in installation such as a bookcase or rack unless proper ventilation is provided or the manufacturer's instructions have been adhered to.

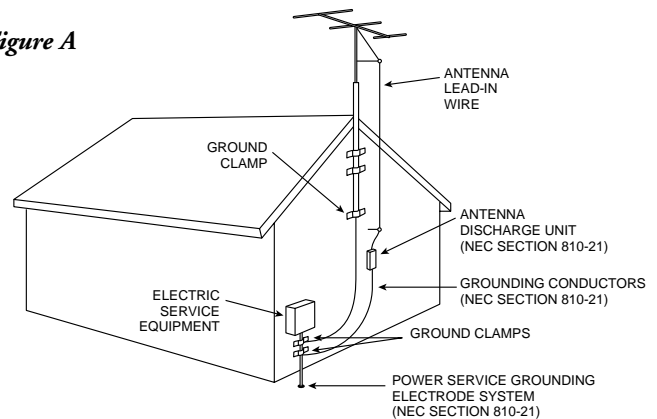
11) **Power Sources** – This product should be operated only from the type of power source indicated on the marking label. If you are not sure of the type of power supply to your home, consult your product dealer or local power company. For products intended to operate from battery power, or other sources, refer to the operating instructions.

12) **Grounding or Polarization** – This product may be equipped with a polarized alternating-current line plug (a plug having one blade wider than the other). This plug will fit into the power outlet only one way. This is a safety feature. If you are unable to insert the plug fully into the outlet, try reversing the plug. If the plug should still fail to fit, contact your electrician to replace your obsolete outlet. Do not defeat the safety purpose of the polarized plug.

13) **Power-Cord Protection** – Power-supply cords should be routed so that they are not likely to be walked on or pinched by items placed upon or against them, paying particular attention to cords at plugs, convenience receptacles, and the point where they exit from the product.

14) **Outdoor Antenna Grounding** – If an outside antenna or cable system is connected to the product, be sure the antenna or cable system is grounded so as to provide some protection against voltage surges and built-up static charges. Article 810 of the National Electrical Code, ANSI/NFPA 70, provides information with regard to proper grounding of the mast and supporting structure, grounding of the lead-in wire to an antenna discharge unit, size for grounding conductors, location of antenna-discharge unit, connection to grounding electrodes, and requirements for the grounding electrode. See Figure A.

Figure A



15) **Lightning** – For added protection for this product during a lightning storm, or when it is left unattended and unused for long periods of time, unplug it from the wall outlet and disconnect the antenna or cable system. This will prevent damage to the product due to lightning and power-line surges.

16) **Power Lines** – An outside antenna system should not be located in the vicinity of overhead power lines or other electric light or power circuits, or where it can fall into such power lines or circuits. When installing an outside antenna system, extreme care should be taken to keep from touching such power lines or circuits as contact with them might be fatal.

17) **Overloading** – Do not overload wall outlets, extension cords, or integral convenience receptacles as this can result in a risk of fire or electric shock.

18) **Object and Liquid Entry** – Never push objects of any kind into this product through openings as they may touch dangerous voltage points or short-out parts that could result in a fire or electric shock. Never spill liquid of any kind on the product.

19) **Servicing** – Do not attempt to service this product yourself as opening or removing covers may expose you to dangerous voltage or other hazards. Refer all servicing to qualified service personnel.

20) **Damage Requiring Service** – Unplug this product from the wall outlet and refer servicing to qualified service personnel under the following conditions:

- When the power-supply cord or plug is damaged.
- If liquid has been spilled, or objects have fallen into the product.
- If the product has been exposed to rain or water.
- If the product does not operate normally by following the operating instructions. Adjust only those controls that are covered by the operating instructions as an improper adjustment of other controls may result in damage and will often require extensive work by a qualified technician to restore the product to its normal operation.
- If the product has been dropped or damaged in any way.
- If the product exhibits a distinct change in performance – this indicates a need for service.

21) **Replacement Parts** – When replacement parts are required, be sure the service technician has used replacement parts specified by the manufacturer or that have the same characteristics as the original part. Unauthorized substitutions may result in fire, electric shock, or other hazards.

22) **Safety Check** – Upon completion of any service or repairs to this product, ask the service technician to perform safety checks to determine that the product is in proper operating condition.

23) **Wall or Ceiling Mounting** – The product should be mounted to a wall or ceiling only as recommended by the manufacturer.

24) **Heat** – The product should be situated away from heat sources such as radiators, heat registers, stoves, or other products (including amplifiers) that produce heat.

## ABOUT THIS MANUAL...

## PARTS LIST...

# INTRODUCTION

The Infinity HTS-20 is a compact, efficient universal satellite, center-channel and subwoofer system that is ideal for reproducing home-theater sound. With their versatile design, the satellite speakers can be placed virtually anywhere on shelves or stands, or mounted on a wall or ceiling using the integral 4-way mounting bracket. The bracket has crossholes for mounting and also acts as a door for hiding the connection terminals. The center channel can easily be placed on top of or on a shelf below the television. The powered subwoofer delivers tremendous bass performance from a compact, easy-to-place design.

To start enjoying your new HTS-20 Home-Theater System, read and then follow all instructions listed in this manual, as well as those found in the owner's manuals of associated components in your audio system. Save all instructions for future reference.

# UNPACKING THE SPEAKERS

*Carefully unpack the speakers. If you suspect damage from transit, report it immediately to your dealer and/or delivery service. Keep the shipping cartons and packing materials for future use. Open the package and verify the following contents:*

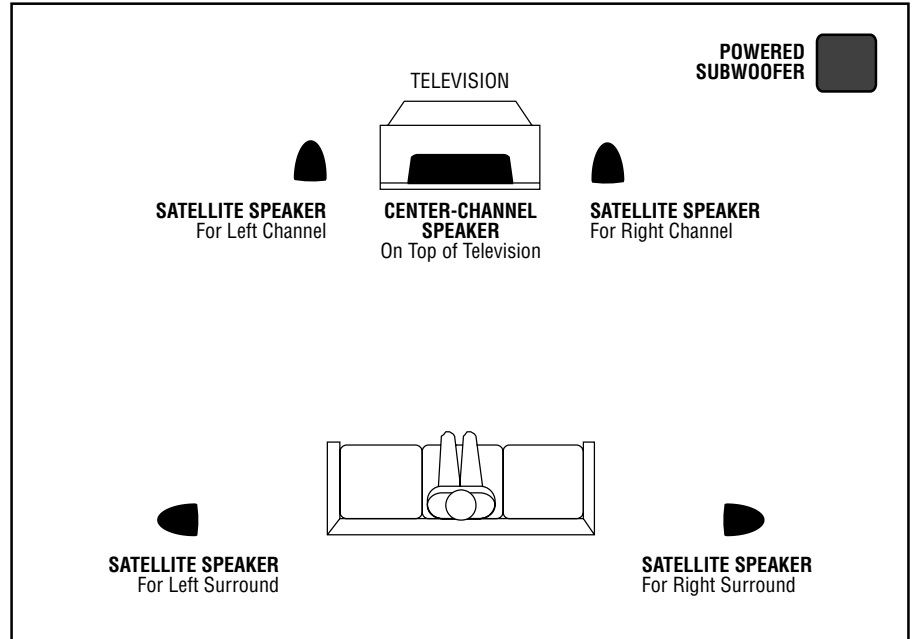
- ◆ (1) Powered subwoofer
- ◆ (4) Satellite speakers
- ◆ (1) Center-channel speaker
- ◆ Speaker wire – 3 x 12'  
                          2 x 40'
- ◆ Subwoofer cable – 15'
- ◆ “Y”-connector for subwoofer cable
- ◆ Owner's manual and warranty statement
- ◆ Hex wrench, 5/32" (4mm)

To prevent fire or shock hazard, DO NOT EXPOSE THIS SYSTEM TO RAIN OR EXCESSIVE MOISTURE. To avoid electric shock, DO NOT OPEN THE ENCLOSURES! There are no user-serviceable parts inside. Observe all warnings and cautions.

# PLANNING YOUR SYSTEM

The satellite speakers are used to reproduce sound for front and surround channels. Before deciding where to best place your speakers, survey your room and study Figure 1.

*Figure 1. In this overhead view of a typical installation, satellite speakers are used to reproduce sound for the front, center and surround channels. The powered subwoofer provides extra bass for effects and music.*



## PLACEMENT

*NOTE: The satellite speakers can be placed directly on a shelf, or mounted on a wall using the built-in bracket (see Figures 3 through 6).*

### FRONT CHANNELS...

For front left and right channels, place the speaker on the left and another on the right.

### CENTER CHANNEL...

For the center channel, place the speaker directly on top of, or below, your television.

Since the speakers are magnetically shielded, you can place them very close to the TV without worrying about the magnetic field distorting the TV picture.

### SURROUND CHANNELS...

For surround left and right channels, place one speaker on the left and another on the right, to the side of, or behind the listening area.

### SUBWOOFER...

Since installing a subwoofer can be somewhat more complicated than installing full-range speakers, it is essential you read this section very carefully prior to connecting the subwoofer to your system. Should you have questions relating to your installation, it is advisable to call either your dealer or Infinity's Customer Service Department for advice.

The performance of the subwoofer is directly related to its placement in the listening room and how you align the subwoofer with its satellite speakers. Setting the volume of the subwoofer in relationship to the left and right speakers is also of critical importance because it is essential that the subwoofer integrates smoothly with the entire system. Setting the subwoofer's volume level too high will result in an overpowering, boomy bass. Setting the volume level too low will negate the effect of the subwoofer.

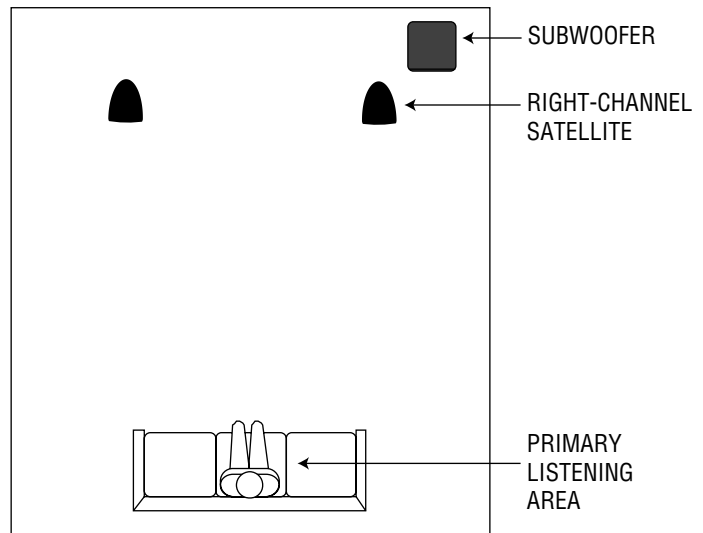
***CAUTION: The metal plate on the back of the subwoofer acts as the heat sink for the subwoofer's internal amplifier. It is normal for this area to get warm.***

We recommend placing the subwoofer at least 2 to 3 feet away from a television or a computer's disc-drive system to prevent distorting the colors of the TV picture or erasing the magnetic drive.

Here are several additional facts on installation that may prove useful. It is generally believed that low frequencies (below 125Hz) are nondirectional and, therefore, placement of a subwoofer within any listening room is not critical. While in theory it is true that the larger wavelengths of extremely low frequencies are basically nondirectional, the fact is that when installing a subwoofer within the limited confines of a room, reflections, standing waves and absorptions generated within the room will strongly influence the performance of the subwoofer system. As a result, specific location of the subwoofer becomes important, and we strongly recommend that you experiment with placement before choosing a final location.

Placement will depend upon your room and the amount and quality of bass required. Never place the port too close to a wall or piece of furniture as this will prevent the port from operating properly. Since the port is an integral part of the subwoofer's design, it should always be permitted free access to the listening room without obstruction to the pressure emerging from it. Careful experimentation will enable you to determine the best position for the subwoofer (see useful hints, next page).

Figure 2. This view shows the subwoofer positioned behind the right-channel satellite speaker to re-create the actual location of bass instruments in an orchestra.



Here are some useful hints:

1. Experimentation with the port direction may be useful. At times directing the port away from the listening area (to the side) may be advantageous because this may create a better blend of bass within the listening room.
2. If bass response seems inadequate, move it closer to a wall or corner. If bass becomes too heavy, try turning the subwoofer with the port facing away from the wall. This will tend to diminish bass output.

It may take some time and patience to find the most pleasing acoustic location for your subwoofer. Testing for sonic balance and blending should always be made for your normal listening position, using a wide range of source material. As a starting point, place the subwoofer behind your right-channel satellite speaker, about 3 or 4 inches from the wall. We suggest trying this location first because the bass instruments in an orchestra are usually located in the back and to the right (see Figure 2).

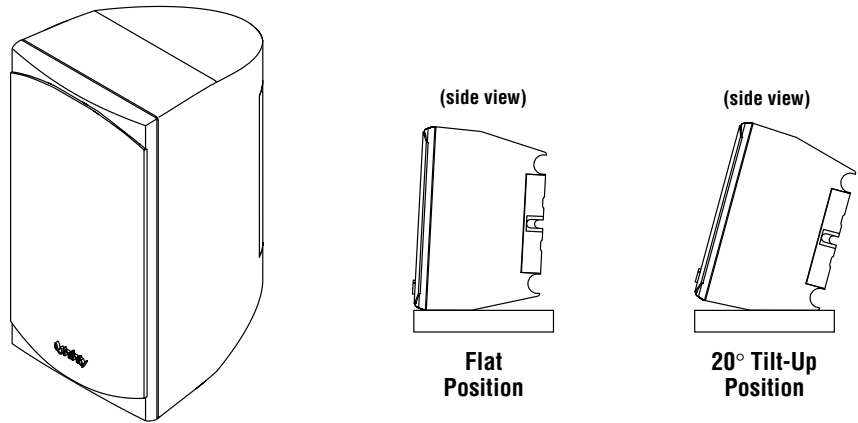
# SHELF PLACEMENT OF THE SATELLITES

## VERTICAL POSITION...

The satellite speakers can be positioned vertically in two positions on a shelf or stand, as shown in Figure 3. Set each satellite flat, with the logo at the bottom and the bracket facing inward. You can also push the speakers gently back for a 20° tilt.

Figure 3. This illustration shows how to vertically position the speakers two ways.

### VERTICAL PLACEMENT ON A SHELF



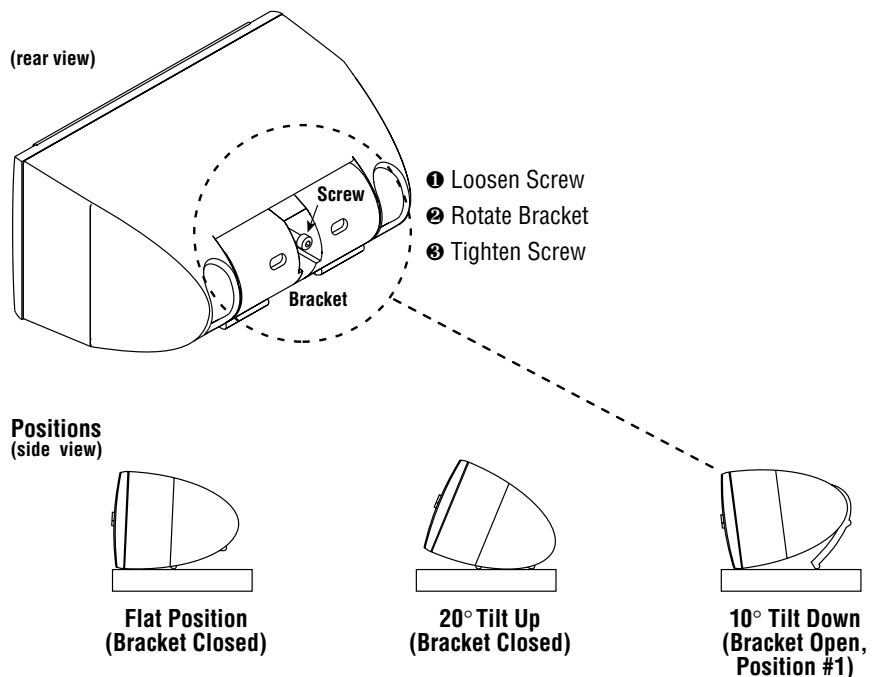
## HORIZONTAL POSITION...

The satellite speakers can also be positioned horizontally in three positions on a shelf, as shown in Figure 4. Set each speaker flat, or push the speakers gently back for a 20° tilt. Rotate the logo to match the orientation of the speaker. To provide a 10° tilt-down angle, loosen the bracket screw on the rear door with the hex wrench (included) and adjust the bracket to *Bracket Open, Position #1*. Tighten the bracket screw when you have reached the desired angle.

*NOTE: You may want to route the wires before tightening the bracket screw (see Figure 8 on page 11).*

### HORIZONTAL PLACEMENT ON A SHELF

Figure 4. This illustration shows how to horizontally position the speakers three ways.





**NOTE:** The customer is responsible for the correct selection and use of mounting hardware (available through hardware stores) that will ensure the proper and safe wall-mounting of the speakers.

## WALL-MOUNTING THE SATELLITES

The satellite speakers can be wall- or ceiling-mounted, as shown in Figures 5 and 6. You can mount the speakers with #6 wood screws (not included), using the built-in mounting bracket.

Use the enclosed template to mark the desired position of each speaker on a wall or ceiling. Locate a stud for secure mounting and use heavy-duty wood screws with long threads. Test the mounting thoroughly before installation.

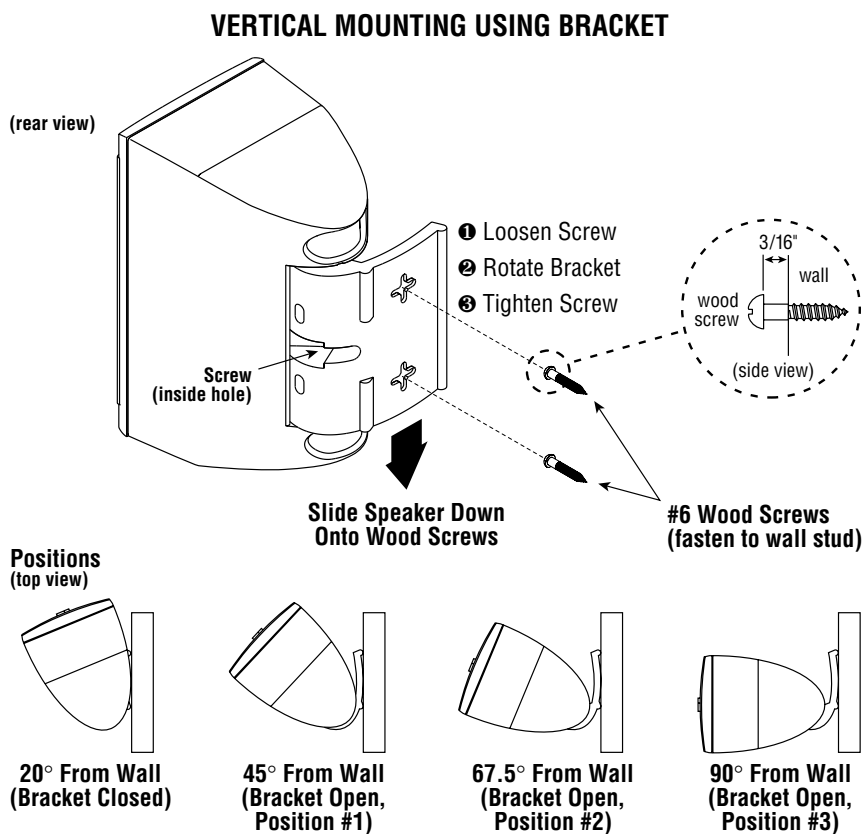
To mount the speaker vertically on a wall, fasten the wood screws (not included) to a wall stud, leaving a 3/16" clearance between the base of the screw head and the wall. If desired, loosen the bracket screw, adjust the bracket angle, and tighten the bracket screw.

**NOTE:** You may want to route the wires before tightening the bracket screw (see Figure 8 on page 11).

Then orient the speaker vertically, align the crossholes on the rear of the speaker with the wood screws, and slide the speaker down.

### VERTICAL MOUNTING...

Figure 5. This illustration shows how to mount the speaker vertically on a wall or ceiling four different ways.



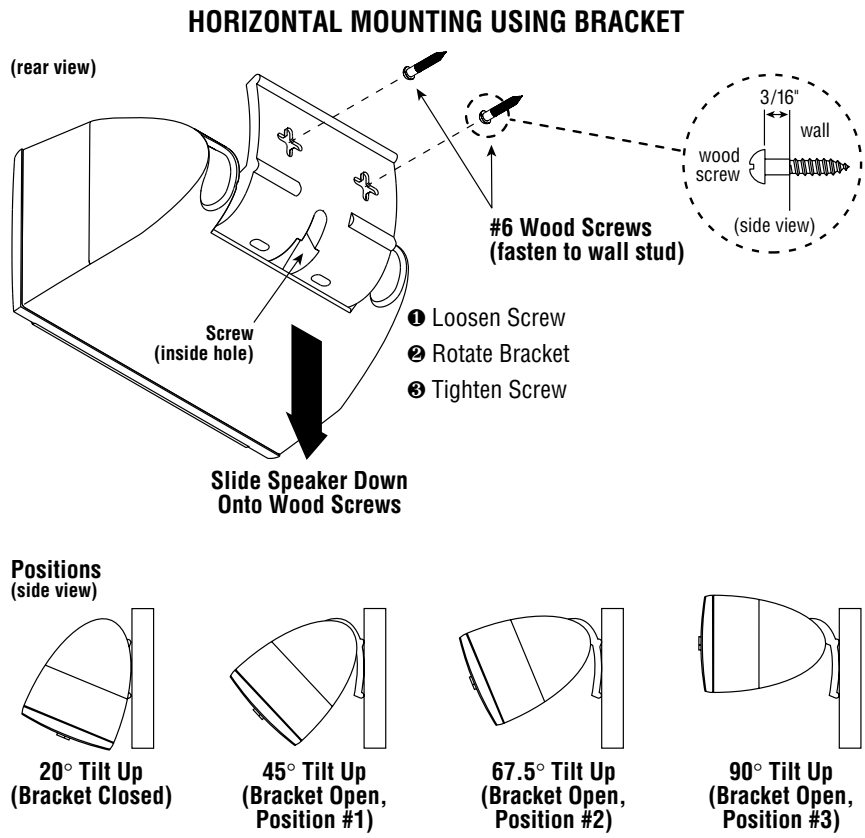
## HORIZONTAL MOUNTING...

For horizontal mounting, fasten the #6 wood screws (not included) to a wall stud, leaving a 3/16" clearance between the base of the screw head and the wall. If desired, loosen the bracket screw, adjust the bracket angle, and tighten the bracket screw.

*NOTE: You may want to route the wires before tightening the bracket screw (see Figure 8 on page 11).*

Then orient the speaker horizontally, align the crossholes on the rear of the speaker with the screws, and slide the speaker down. Rotate the logo to match the orientation of the speaker.

Figure 6. This illustration shows how to mount the speaker horizontally on a wall or ceiling four different ways.



# WIRING THE SPEAKERS

## TURN OFF ALL POWER...

After placing the speakers, you are ready to connect your system. First turn off all audio system power. Use high-quality speaker wire to make your connections. If you need more wire than is provided, use at least #16 gauge speaker wire with polarity coding. The side of the wire with a ridge or other coding is usually considered positive polarity (i.e., +). Also, consult the owner's manuals that were included with your amplifier, receiver, or television to confirm connection procedures.

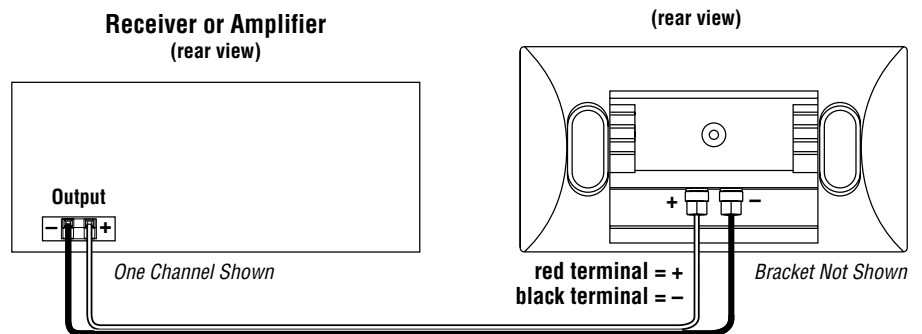
## SATELLITES...

On the back of the satellite, loosen the bracket screw and rotate the bracket to access terminals. Observe polarities when making speaker connections, as shown in Figure 7. Connect each + terminal on the back of the amplifier or receiver to the respective + (red) terminal on each speaker. Connect the - (black) terminals in the same way.

## IMPORTANT!

*Do not reverse polarities (i.e., + to - or - to +) when making connections. Doing so will cause poor imaging and diminished bass response.*

Figure 7. Wiring diagram shows polarity connections for one channel of a stereo or home-theater system.



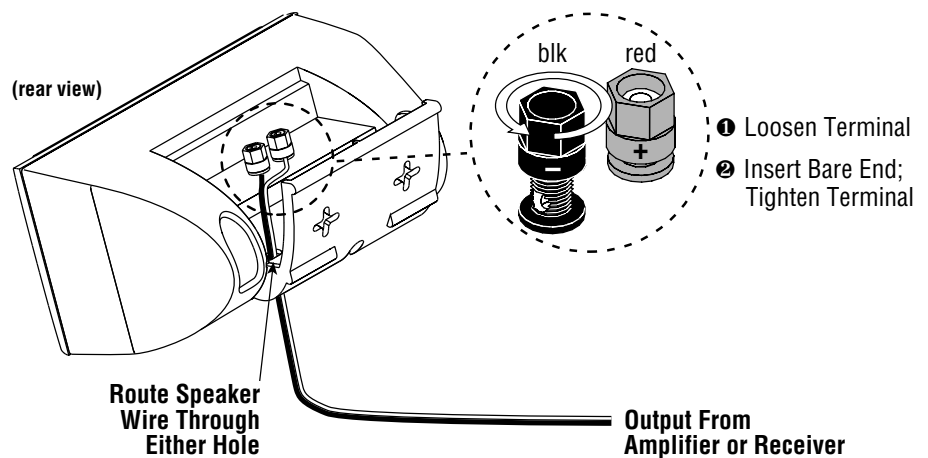
## ROUTING THE WIRES...

Before making your final connections, route the wires through either hole in the door, as shown in Figure 8.

*NOTE: You may need to loosen the bracket screw to open the door further.*

After you finish connecting your system, return the door to the desired angle and tighten the bracket screw.

Figure 8. This illustration shows how to route the wires through either hole in the speaker's bracket and connect them to the terminals.



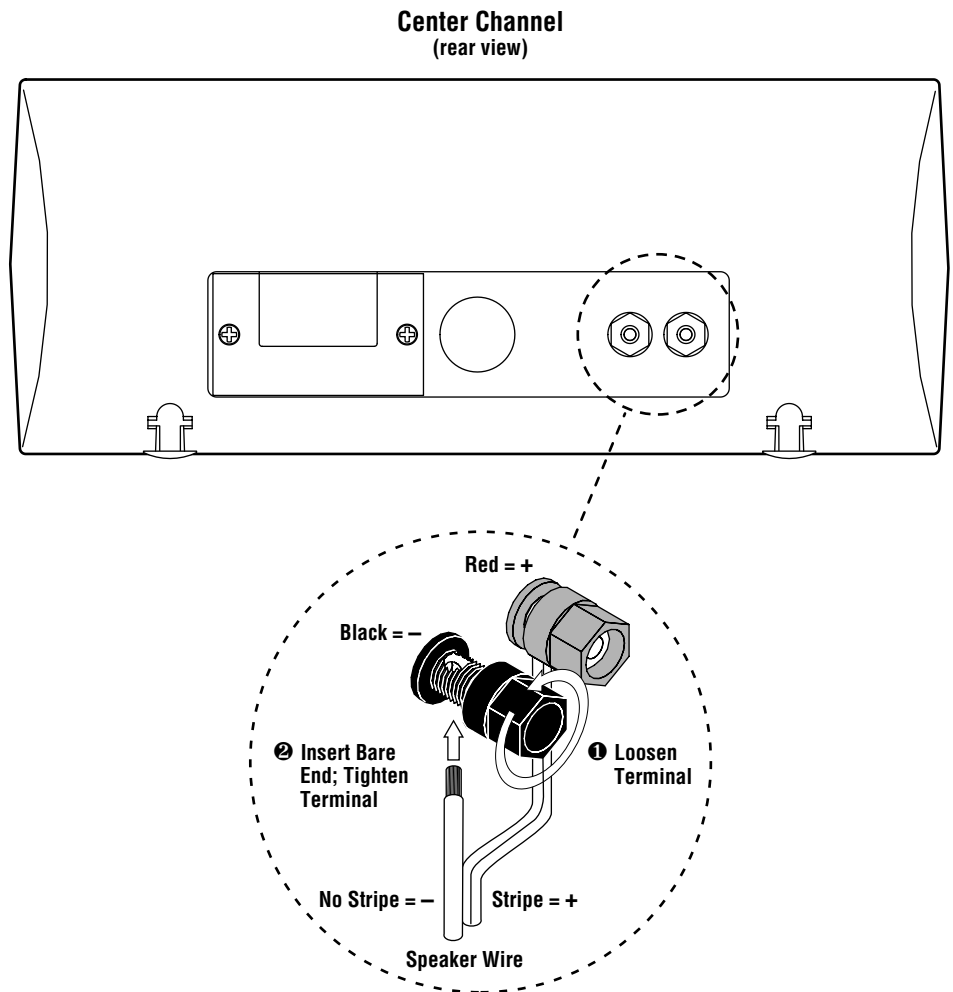
## CENTER CHANNEL...

### IMPORTANT!

Observe polarities when making speaker connections, as shown in Figure 9 (below). Connect each + terminal on the back of the amplifier or receiver to the respective + (red) terminal on the speaker. Connect the – (black) terminals in the same way.

*Do not reverse polarities (i.e., + to – or – to +) when making connections.*

Figure 9. The satellites and center-channel speaker feature terminals that can be connected in several different ways; e.g., banana plugs, spade terminals and direct wiring (as shown here).



## SUBWOOFER...

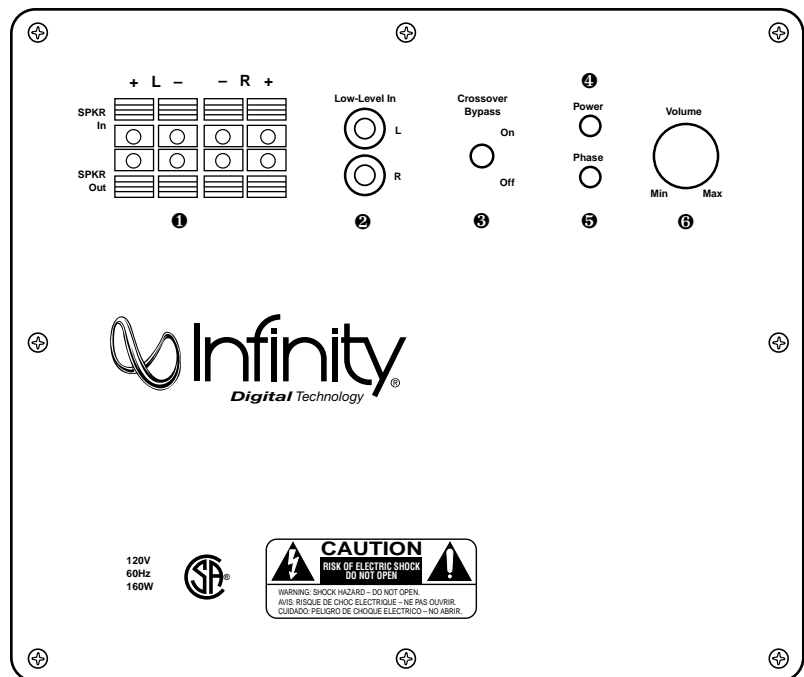
## BEFORE CONNECTING YOUR SUBWOOFER...

Refer to Figure 10 to identify the controls of your subwoofer's internal amplifier:

- ❶ Speaker-Level Input and Output terminals
- ❷ Low-Level Input jacks
- ❸ Crossover Bypass
- ❹ Power-On Indicator
- ❺ Phase: reverse/normal switch to flip audio-signal polarity
- ❻ Volume Control: controls volume of subwoofer

Turn off your entire audio system prior to connecting your subwoofer.

Figure 10.



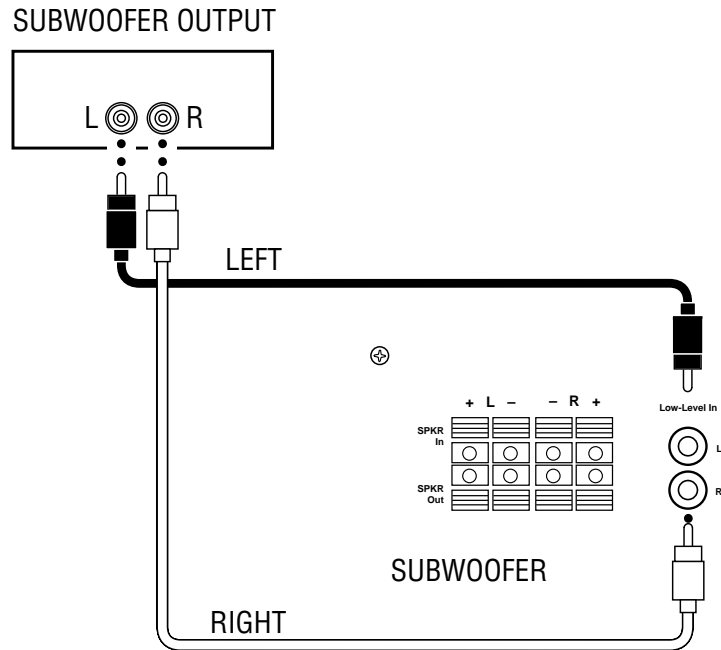
## CONNECTING THE SUBWOOFER...

There are several ways to connect your subwoofer. Read this section carefully to determine which method is best suited for your installation.

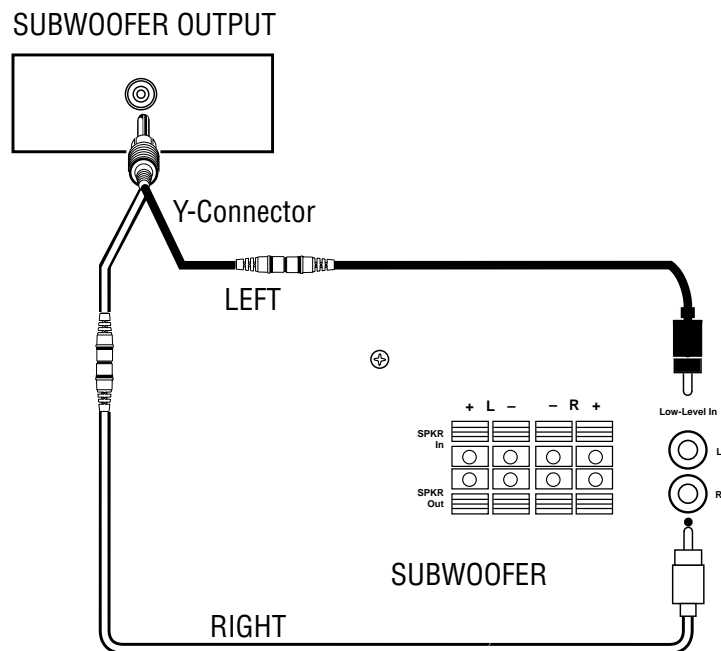
The subwoofer may be fed directly with a low-level signal taken from your receiver's subwoofer-output to connect your subwoofer. Connect one end of each stereo pair of leads to your pre-amplifier's left and right outputs and connect the other end to the corresponding left and right LOW-LEVEL INPUTS ② on the subwoofer. This cable is included with the system.

Connect your subwoofer to an unswitched AC wall outlet.

Figure 11.



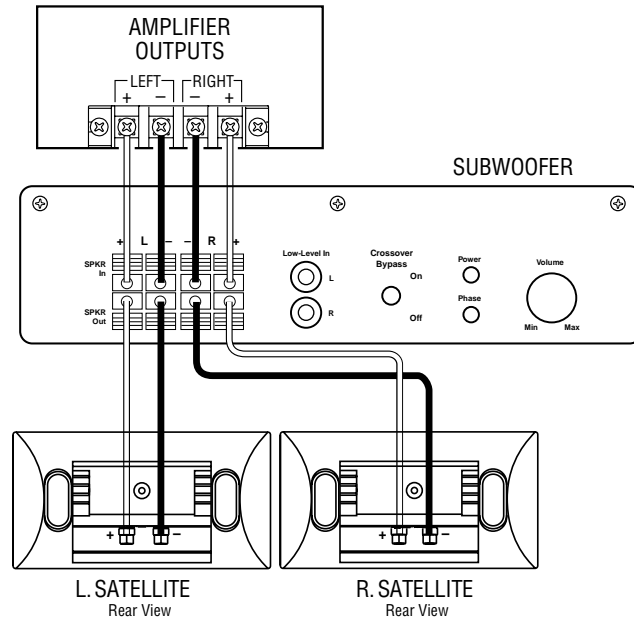
*NOTE: If your receiver has only one subwoofer output, it is recommended that you use the supplied "Y"-connector as shown.*



The subwoofer may be connected to your system using the SPEAKER-LEVEL INPUTS ❶ on the plate located on the rear panel of the subwoofer. Use speaker wire, maintaining proper polarity (+ to + and – to –). Attach the speaker wire to the left and right SPEAKER-LEVEL INPUTS on the subwoofer and the other ends to the proper left and right OUTPUTS on your amplifier or receiver. Then connect the outputs of the subwoofer to the front left and right satellites as shown in Figure 12. The additional speaker wires required for this connection method are not included with the system.

Connect your subwoofer to an unswitched AC wall outlet.

Figure 12. Method when connecting subwoofer to satellites.



## A FEW SUGGESTIONS

We recommend that you not operate your speakers or subwoofer with the bass, treble and loudness controls set to full boost. This will place undue strain on your electronics and speakers and could damage them.

The volume control setting on your preamplifier or stereo receiver is not a specific indication of the overall loudness level of the speakers. The only important consideration is the loudness level at which the system can be played regardless of where the volume control is set.

Always turn down the volume control setting on your preamplifier or stereo when changing a cassette or CD, or switching inputs to AM or FM operation. Excessively loud transients (clicks or popping sounds) can damage the satellite speakers and possibly the subwoofer.

### IMPORTANT!

Whenever changing cables, pulling plugs, etc., ALWAYS TURN OFF ALL EQUIPMENT, including the subwoofer. This prevents transients from entering the speakers and prevents electrical energy from reaching you. Keep all connections out of the reach of children.

## OPERATING THE SYSTEM

### CHECKING PLAYBACK...

Check the speakers for playback by first setting the audio system volume control for a minimum level, and then applying power to your system. Play a favorite music or video segment and increase the volume control to a comfortable level.

*NOTE: You should hear balanced audio reproduction across the entire frequency spectrum. If not, check all wiring connections and see In Case of Trouble for more help.*

### SURROUND MODES...

**When using the HTS-20 System in a Dolby\* Pro Logic\* home-theater system, make sure the receiver's center-channel mode is set to "Normal". When using the HTS-20 system in a Dolby Digital or DTS® home-theater system, make sure the receiver's speaker modes are set to "Small!"**

Some Dolby Digital-equipped receivers/processors offer different setup options for each source or surround mode, e.g., CD-stereo, videotape, Dolby, Pro Logic. In each case, follow your equipment's instructions to ensure that the subwoofer is turned on and that the speakers are set to "Small" in each mode.

## OPERATING THE SUBWOOFER

### SET CONTROLS...

1. Initially set the subwoofer's Volume control **6** (Fig. 10) to the minimum position.
2. If you are using a receiver or surround processor containing a Dolby Digital and/or DTS decoder, set the crossover bypass switch to "On". If you are using a stereo or Dolby Pro Logic receiver, set this switch to "Off".

### POWER ON...

3. Turn on your entire audio system and play any music source.
4. Turn the Volume control **6** (Fig. 10) to its mid-position. If no sound emanates from the subwoofer, check the AC line cord and input cables. Are the connectors on the cables making proper contact? Is the AC plug connected to a "live" receptacle?



## ADJUST VOLUME...

5. Set the overall volume control of the preamplifier or receiver to a comfortable level. Adjust the subwoofer's Volume control **6** (Fig. 10) until you obtain a pleasing blend of bass. Bass response should not overpower the room but rather be adjusted so there is a harmonious blend across the entire musical range. Many users have a tendency to set the subwoofer volume too loud, following the belief that a subwoofer is there to produce lots of bass. This is not entirely true. A subwoofer is there to enhance bass, extending the response of the entire system so the bass can be felt as well as heard. However, overall balance must be maintained; otherwise, the music will not sound natural. An experienced listener will set the volume of the subwoofer so its impact on bass response is always there but is never obtrusive.

## ROOM PLACEMENT...

6. Room placement of the subwoofer is also an important aspect of its installation. It may be necessary for you to try various locations in your listening room before you choose the final location. Some possible starting points include: behind the right-channel satellite speaker, along the back wall between the satellites, along a side wall, or behind a couch or a chair.

In general, the closer the subwoofer is to walls and corners, the greater the effect of low-frequency enhancement. Experiment with its placement and Volume control until you are pleased with the result you obtain from your particular application.

## A WORD OF ADVICE

The Volume control may be set anywhere within its rotation. However, it will be most unusual if you have to turn the Volume control completely clockwise. This may indicate an unbalanced condition in your system (too much bass) or an especially large room, or room placement may not be correct. Try several other locations before concluding that the Volume control must be set at maximum.

## CARE OF YOUR SPEAKER SYSTEM

The satellites and powered subwoofer enclosures do not require any routine maintenance. When needed, use a soft cloth, dampened with water only, to remove any fingerprints or to wipe off dust. Clean the grille by gentle vacuuming or with a damp cloth.

*NOTE: Do not use any cleaning products or polishes on the enclosures or grilles.*

## IN CASE OF TROUBLE

Before consulting your dealer, try these simple troubleshooting steps:

- If the sound quality is distorted, listen to each speaker separately.
- If distortion is present in both, the problem is probably somewhere else in your system.
- If only one channel is distorted, switch the left and right speaker leads at the receiver.
- If the distortion moves to the other speaker, the problem is not in the speaker.
- If you need further assistance, contact your local Infinity retail dealer.

# SPECIFICATIONS

## PERFORMANCE DATA...

Frequency Range:

## SATELLITES

70 ~ 20,000Hz

## CENTER CHANNEL

100 ~ 20,000Hz

Sensitivity:

86dB spl @ 1m/2.83V

90dB @ 1m/2.83V

Impedance:

8  $\Omega$  nominal

8  $\Omega$  nominal

Recommended Amplifier  
Power Range:

10 ~ 100W

10 ~ 80W

## DRIVE UNITS...

Mid Frequency:

one 4" (100mm)  
magnetically shielded,  
polypropylene cone

dual 4" (100mm)  
magnetically shielded,  
polypropylene cones

High Frequency:

one 1/2" (12.7mm)  
magnetically shielded,  
polycarbonate-dome tweeter

1/2" (12.7mm)  
magnetically shielded,  
polycarbonate-dome tweeter;  
elliptical waveguide

## DIMENSIONS...

Height:

8-1/2" (216mm)

5" (127mm)

Width:

4-1/2" (114mm)

12 -1/2" (317.5mm)

Depth:

5-1/2" (140mm)

7" (178mm)

## WEIGHT...

Weight:

3.4 lb/1.6 kg

7 -1/2 lb (3.4 kg)

## POWERED SUBWOOFER

## PERFORMANCE DATA...

Frequency Response ( $\pm 3$ dB):

30Hz

Output (RMS):

150W

## DRIVE UNITS...

Driver:

12"

Crossover Frequency:

100Hz

## DIMENSIONS...

Height:

14-1/2" (368mm)

Width:

14-1/2" (368mm)

Depth:

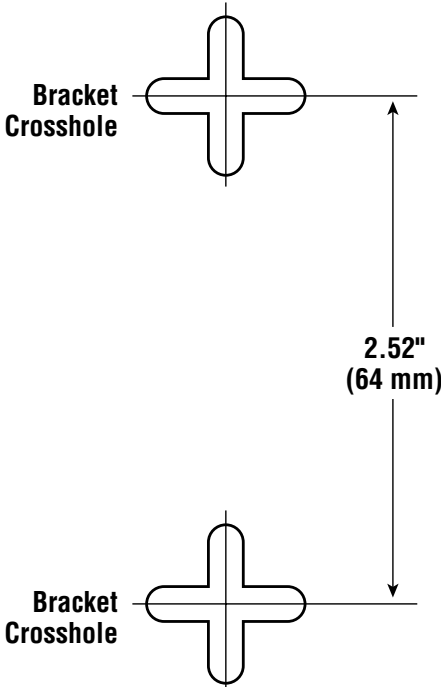
14-1/2" (368mm)

## WEIGHT...

Weight:

26 lbs/11.8 kg

SATELLITE MOUNTING  
TEMPLATE...



Infinity continually strives to update and improve existing products, as well as create new ones. The specifications and construction details in this and related Infinity publications are therefore subject to change without notice.

©1999 Infinity Systems, Inc., 250 Crossways Park Drive, Woodbury, NY 11797 USA  
(800) 553-3332  
[www.infinitysystems.com](http://www.infinitysystems.com)

Infinity is a registered trademark of Infinity Systems, Inc.

\*Trademarks of Dolby Laboratories.

DTS is a trademark of Digital Theater Systems, Inc.

**H** A Harman International Company

P/N:HTS200M